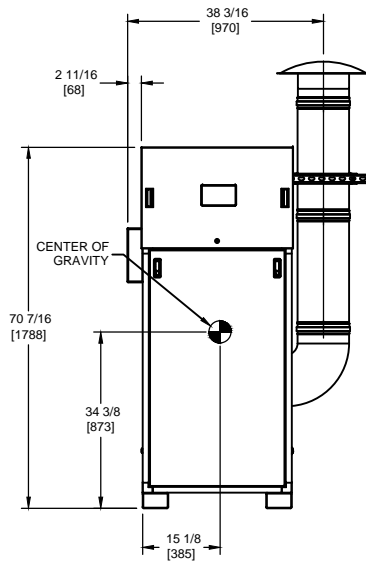
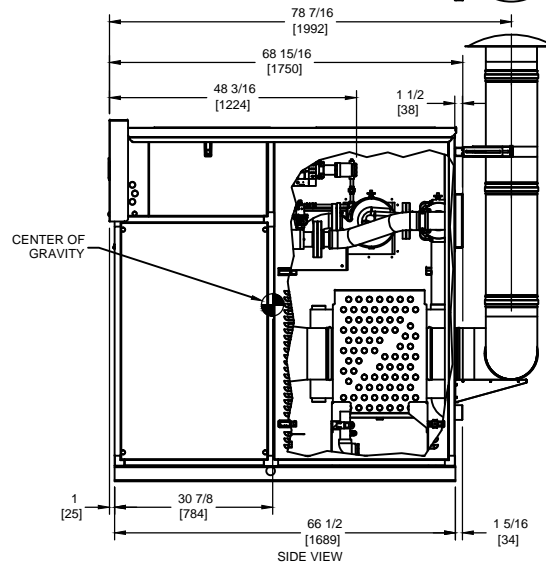


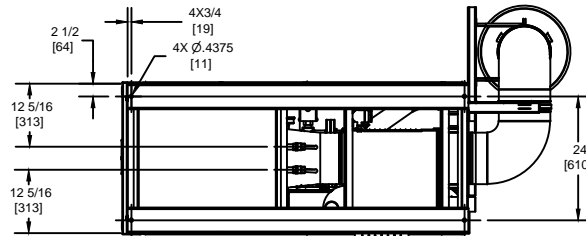
TOP VIEW



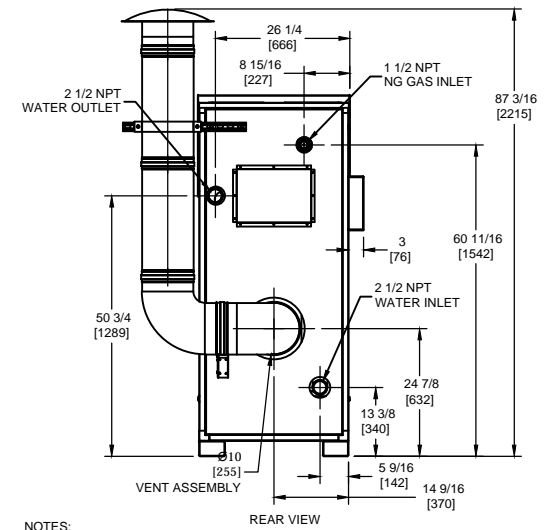
FRONT VIEW



SIDE VIEW




BOTTOM VIEW



REAR VIEW

NOTES:

- 1.)  SYMBOL INDICATES CENTER OF GRAVITY
- 2.) DIMENSIONS ARE NOMINAL AND SUBJECT TO MANUFACTURING VARIATION AND SHOULD NOT BE USED FOR "ROUGH IN".
- 3.) ALL DIMENSIONS ARE INCHES[MM].